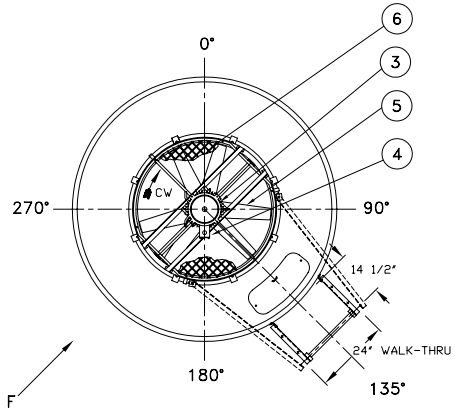
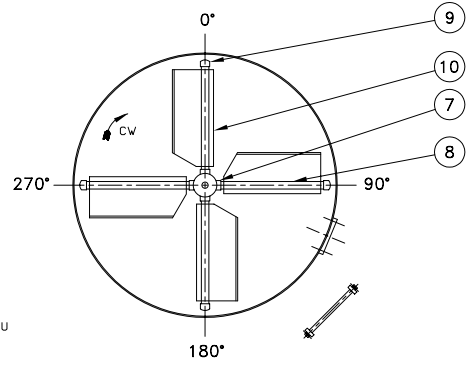


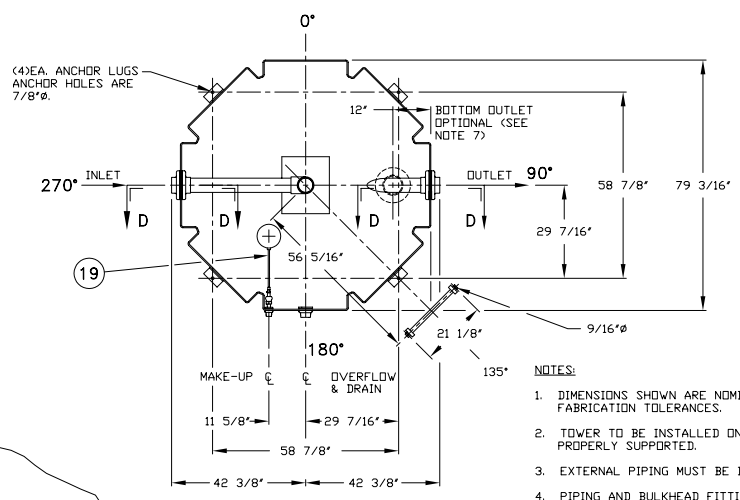
DATE	SYM	REVISION	AUTH	CHK
4/7/06	A	REVISED SIDE OUT, B DIMENSIONS	KF	JBH
5/4/07	B	REVISED A DIMENSION	KF	JBH



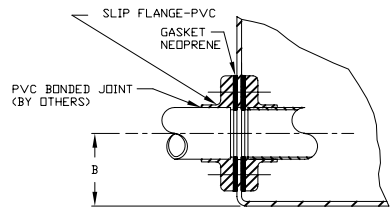
VIEW C-C



SECTION B-B

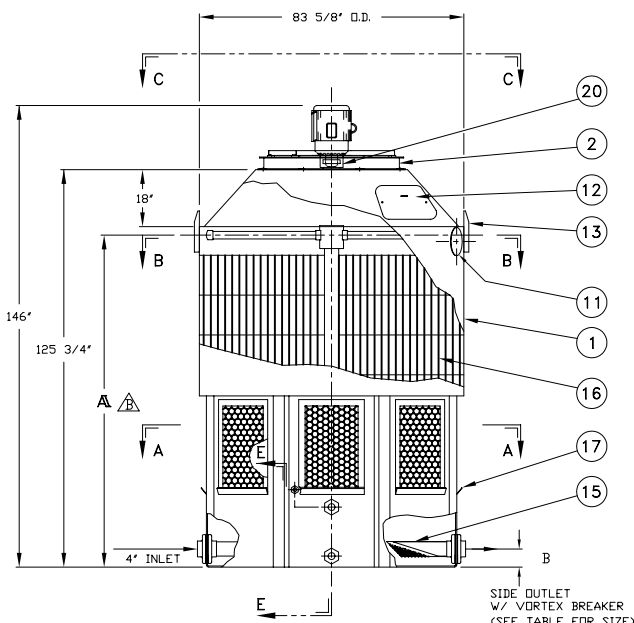


SECTION A-A
(SEE NOTE 1)

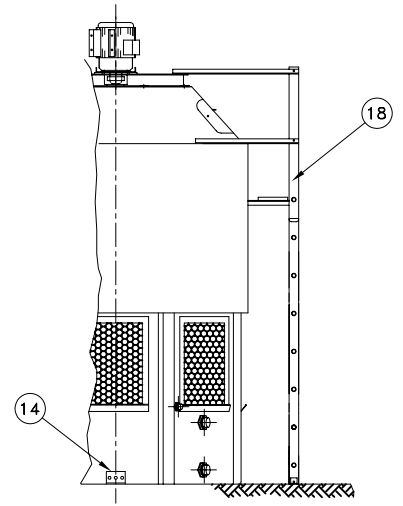


SECTION D-D
INLET & OUTLET

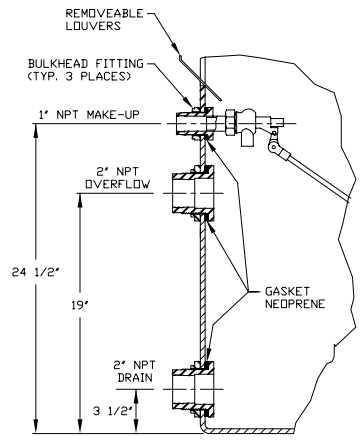
- NOTES:
- DIMENSIONS SHOWN ARE NOMINAL AND ARE SUBJECT TO FABRICATION TOLERANCES.
 - TOWER TO BE INSTALLED ON A FLAT AND RIGID SURFACE, PROPERLY SUPPORTED.
 - EXTERNAL PIPING MUST BE INDEPENDENTLY SUPPORTED.
 - PIPING AND BULKHEAD FITTING MATERIAL IS PVC.
 - HARDWARE MATERIAL IS TYPE 304 STAINLESS STEEL.
 - FAN ASSEMBLY SHIPPED SEPARATELY FROM THE TOWER FOR FIELD INSTALLATION.
 - FOR BOTTOM OUTLET MAXIMUM OPENING IN SUPPORT TO BE 14" x 14".
 - MAXIMUM INLET WATER TEMPERATURE 140°F. (CONSULT FACTORY FOR HIGHER TEMP. APPLICATIONS.)
 - SEE DWG NO. DT-D-81-755 FOR MULTICELL LAYOUT.
 - ALL DIMENSIONS ARE IN INCHES.
 - ALL WEIGHTS ARE IN POUNDS. DRY WT. INCLUDES; FAN ASSEMBLY, SINGLE SPEED MOTOR & TOWER COMPLETE. MAX. FAN WT. INCLUDES FAN ASSEMBLY AND TWO SPEED MOTOR.



ELEVATION



VIEW F



SECTION E-E

ITEM	QTY	PART NO.	DESCRIPTION	MATERIAL	REMARKS
20	1		VIBRATION SWITCH	STEEL	OPTIONAL
19	1		FLOAT VALVE	BRASS	
18	1		LADDER ASSEMBLY	ALUMINUM	OPTIONAL
17	1 SET		LOUVER	PVC	
16	1 SET		FILL	PVC	
15	1		STRAINER	PLASTIC	OPTIONAL
14	4		ANCHOR LUG	ALUMINUM	
13	2		LIFTING LUG	ALUMINUM	
12	1		MANHOLE COVER	POLYETHYLENE	
11	1		CLEAN-OUT PORT	POLYETHYLENE	
10	4		MIST ELIMINATOR	POLYETHYLENE	
9	4		PIPE CAP	PVC	
8	4		SPRINKLER PIPE	PVC	
7	1		SPRINKLER HEAD	PVC	
6	1		FAN GUARD	COATED STEEL	
5	1		PROPELLER	POLYPROP/FRP	
4	1		ELECTRICAL BDX	ALUMINUM	
3	1		MOTOR	ALUM/STL	
2	1		FAN RING	COATED STEEL	
1	1		TOWER SHELL	POLYETHYLENE	

TOWER	T-55 I	T-70 I	T-85 I
HP	2	3	5
DRY WT.	1180	1250	1270
OPER. WT.	3980	4050	4070
MAX. FAN WT.	255	255	273
A	89 1/2"	101 1/2"	89 1/2"
BOTTOM OUT	4"	4"	6"
SIDE OUT	4"	4"	4"
B	5 3/4"	5 3/4"	5 3/4"

INFORMATION CONTAINED HEREIN IS SUBJECT TO CHANGE WITHOUT NOTICE IN THE INTEREST OF PRODUCT IMPROVEMENT.

DELTA COOLING TOWERS, INC.
41 PINE STREET, ROCKAWAY, NJ 07866
PH 973.586.2201 FAX 973.586.2243

TITLE Paragon ΔT-55 I, ΔT-70 I, ΔT-85 I

DWN BY Susan Taylor
APPVD BY John Hakeley

JOB# _____
SCALE 5/8"=1'-0"
DATE 7/06/05

DWG NO. DT-D-81-756
REV. B

