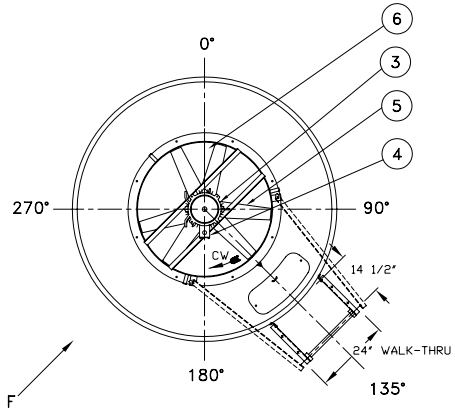
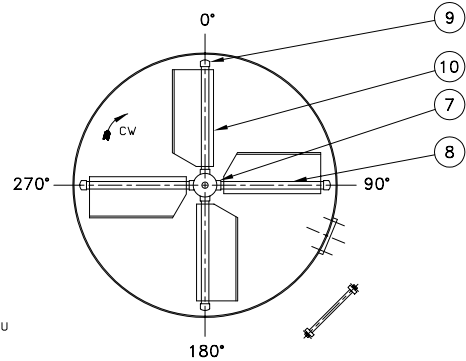


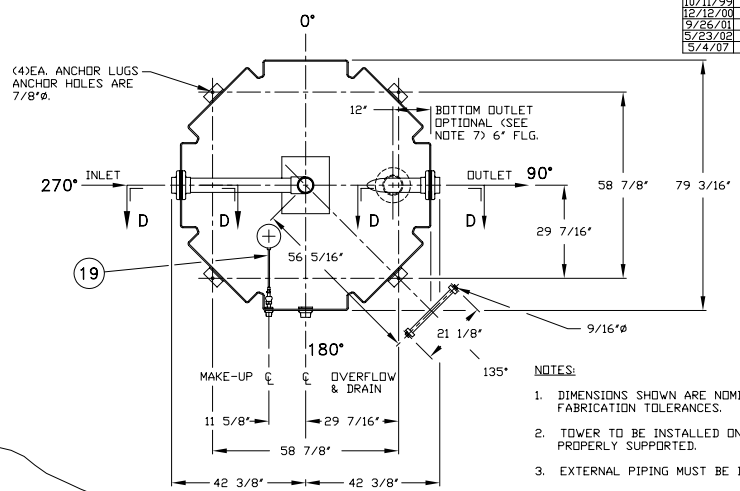
DATE	SYM	REVISION	AUTH	CHK
9/20/96	A	DRAWN IN ACAD	ACW	PP
7/23/98	B	REV. FAN RING & DIM	B.D.J.	PP
10/11/99	C	REV. SECT. E-E DIM	B.D.J.	PP
12/12/00	D	ADDED NOTE 12	B.D.J.	PP
9/26/01	E	REV. SHELL HT FROM 137 3/4"	B.D.J.	PP
5/23/02	F	REV. FAN ASSEMBLY	B.D.J.	PP
3/4/07	G	REVISED A DIMENSION	KF	UB



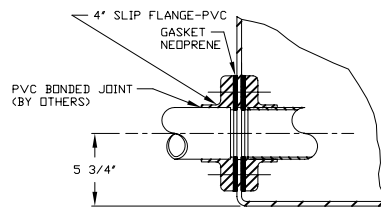
VIEW C-C



SECTION B-B

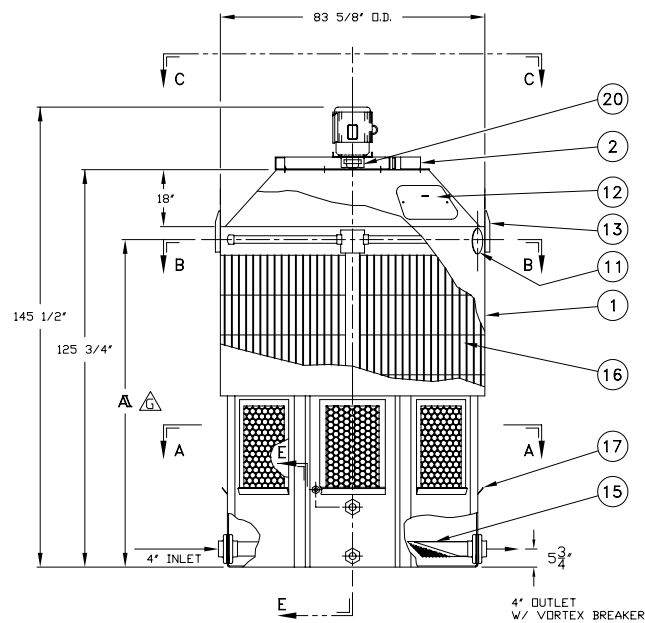


SECTION A-A
(SEE NOTE 1)

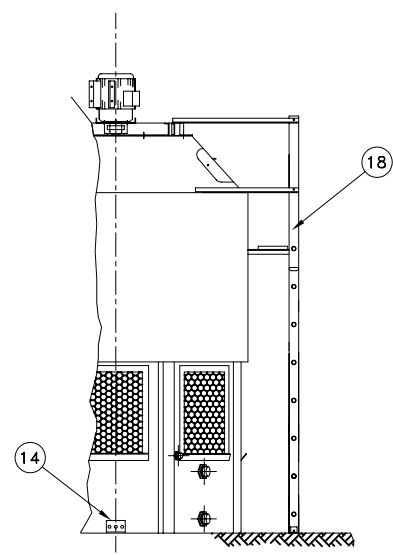


SECTION D-D
INLET & OUTLET

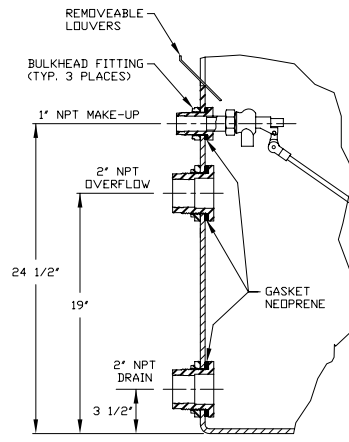
- NOTES:
- DIMENSIONS SHOWN ARE NOMINAL AND ARE SUBJECT TO FABRICATION TOLERANCES.
 - TOWER TO BE INSTALLED ON A FLAT AND RIGID SURFACE, PROPERLY SUPPORTED.
 - EXTERNAL PIPING MUST BE INDEPENDENTLY SUPPORTED.
 - PIPING AND BULKHEAD FITTING MATERIAL IS PVC.
 - HARDWARE MATERIAL IS TYPE 304 STAINLESS STEEL.
 - FAN ASSEMBLY SHIPPED SEPARATELY FROM THE TOWER FOR FIELD INSTALLATION.
 - FOR BOTTOM OUTLET MAXIMUM OPENING IN SUPPORT TO BE 14" x 14".
 - MAXIMUM INLET WATER TEMPERATURE 140°F. (CONSULT FACTORY FOR HIGHER TEMP. APPLICATIONS.)
 - SEE DWG NO. DT-D-81-755 FOR MULTICELL LAYOUT.
 - ALL DIMENSIONS ARE IN INCHES.
 - ALL WEIGHTS ARE IN POUNDS. DRY WT. INCLUDES; FAN ASSEMBLY, SINGLE SPEED MOTOR & TOWER COMPLETE. MAX. FAN WT. INCLUDES FAN ASSEMBLY AND TWO SPEED MOTOR.
 - RISER PIPE HAS 1/4" WEEP HOLE IN SUMP.



ELEVATION



VIEW F

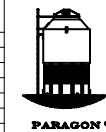


SECTION E-E

ITEM	QTY	PART NO.	DESCRIPTION	MATERIAL	REMARKS
20	1		VIBRATION SWITCH	STEEL	OPTIONAL
19	1		FLOAT VALVE	BRASS	
18	1		LADDER ASSEMBLY	ALUMINUM	OPTIONAL
17	1 SET		LOUVER	PVC	
16	1 SET		FILL	PVC	
15	1		STRAINER	PLASTIC	OPTIONAL
14	4		ANCHOR LUG	ALUMINUM	
13	2		LIFTING LUG	ALUMINUM	
12	1		MANHOLE COVER	POLYETHYLENE	
11	1		CLEAN-OUT PORT	POLYETHYLENE	
10	4		MIST ELIMINATOR	POLYETHYLENE	
9	4		PIPE CAP	PVC	
8	4		SPRINKLER PIPE	PVC	
7	1		SPRINKLER HEAD	PVC	
6	1		FAN GUARD	COATED STEEL	
5	1		PROPPELLER	POLYPROP/FRP	
4	1		ELECTRICAL BDX	ALUMINUM	
3	1		MOTOR	ALUM./STL.	
2	1		FAN RING	COATED STEEL	
1	1		TOWER SHELL	POLYETHYLENE	

TOWER	ΔT 100I	ΔT 125I
HP	5	7 1/2
DRY WT.	1330	1410
OPER. WT.	4185	4260
DESIGN WT.	6000	6075
MAX. FAN WT.	273	292
	101 1/2"	101 1/2"

INFORMATION CONTAINED HEREIN IS SUBJECT TO CHANGE WITHOUT NOTICE IN THE INTEREST OF PRODUCT IMPROVEMENT.



DELTA COOLING TOWERS, INC.
41 PINE STREET, ROCKAWAY, NJ 07866
PH 973.586.2201 FAX 973.586.2243

TITLE **ΔT 100I AND ΔT 125I**
DWN BY *Alexander Clements*
APPYD BY *W.A. Patterson*
SCALE 5/8"=1'-0" DWG NO. **DT-D-81-754**
DATE 9/20/96