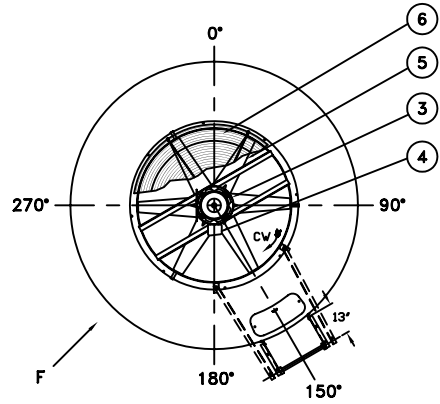
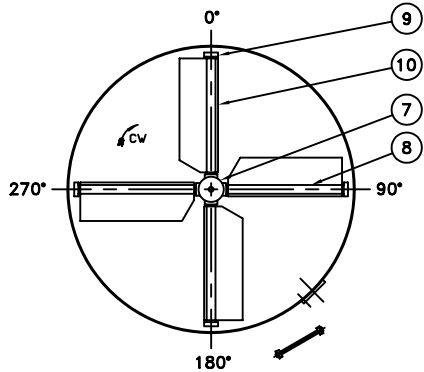


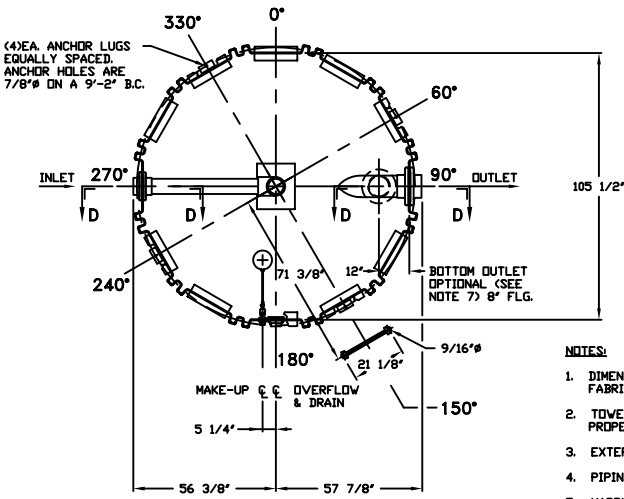
DATE	BY	REVISION	AUTHOR
9/20/96	A	DRAWN IN ACAD	ACH/WP
7/27/98	B	REV. FAN RING & DIM 1/2"	BDJ/JF
12/12/00	C	ADDED NOTE 15	BDJ/JF
5/22/02	D	REV. FAN ASSEMBLY	BDJ/JF



VIEW C-C

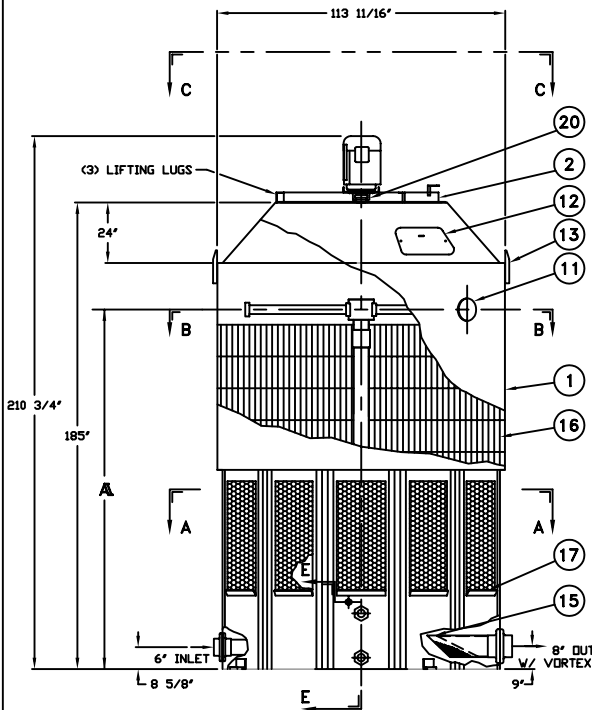


SECTION B-B

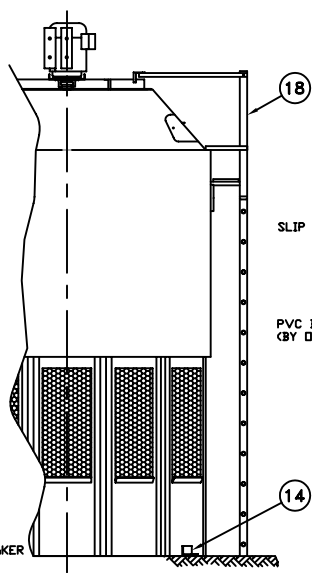


SECTION A-A  
(SEE NOTE 1)

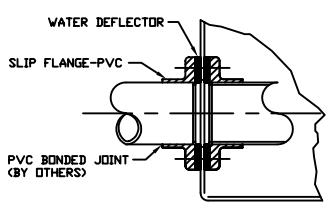
- NOTES:
- DIMENSIONS SHOWN ARE NOMINAL AND ARE SUBJECT TO FABRICATION TOLERANCES.
  - TOWER TO BE INSTALLED ON A FLAT AND RIGID SURFACE, PROPERLY SUPPORTED.
  - EXTERNAL PIPING MUST BE INDEPENDENTLY SUPPORTED.
  - PIPING AND BULKHEAD FITTING MATERIAL IS PVC.
  - HARDWARE MATERIAL IS TYPE 304 STAINLESS STEEL.
  - FAN ASSEMBLY & SPRINKLER ARMS SHIPPED SEPARATELY FOR FIELD INSTALLATION.
  - FOR BOTTOM OUTLET MAXIMUM OPENING IN SUPPORT TO BE 19" x 19".
  - MAXIMUM INLET WATER TEMPERATURE 140°F. (CONSULT FACTORY FOR HIGHER TEMP. APPLICATIONS.)
  - SEE DWG. NO. DT-D-80-755 FOR MULTICELL LAYOUT.
  - ALL DIMENSIONS ARE IN INCHES.
  - ALL WEIGHTS ARE IN POUNDS. DRY WT. INCLUDES; FAN ASSEMBLY, SINGLE SPEED MOTOR & TOWER COMPLETE. MAX. FAN WT. INCLUDES FAN ASSEMBLY AND TWO SPEED MOTOR.
  - RISER PIPE HAS 1/4" WEEP HOLE IN SUMP.



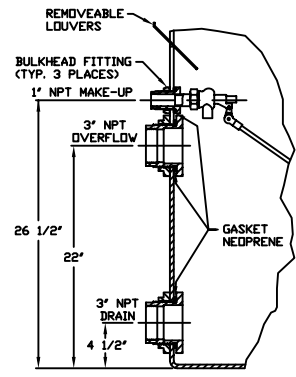
ELEVATION



VIEW F



SECTION D-D  
INLET & OUTLET



SECTION E-E

ITEM	QTY	PART NO.	DESCRIPTION	MATERIAL	REMARKS
20	1		VIBRATION SWITCH	STEEL	OPTIONAL
19	1		FLOAT VALVE	BRONZE	
18	1		LADDER ASSEMBLY	ALUMINUM	OPTIONAL
17	1 SET		LOUVER PANEL	PVC	
16	1 SET		FILL	PVC	
15	1		STRAINER	PLASTIC	OPTIONAL
14	4		ANCHOR LUG	ALUMINUM	
13	2		LIFTING LUG	ALUMINUM	
12	1		MANHOLE COVER	POLYETHYLENE	
11	1		CLEAN-OUT PORT	POLYETHYLENE	
10	4		MIST ELIMINATOR	POLYETHYLENE	
9	4		PIPE CAP	PVC	
8	4		SPRINKLER PIPE	PVC	
7	1		SPRINKLER HEAD	PVC	
6	1		FAN GUARD	COATED STEEL	SPLIT
5	1		PROPELLER	POLYPROP/FRP	
4	1		ELECTRICAL CONN.	STEEL	
3	1		MOTOR	STEEL	TEAD, DIR. DRIVE
2	1		FAN RING	COATED STEEL	
1	1		TOWER SHELL	POLYETHYLENE	

BILL OF MATERIALS

**DELTA COOLING TOWERS, INC.**  
41 PINE STREET, ROCKAWAY, NJ 07866  
PH 973.586.2201 FAX 973.586.2243



TITLE: **ΔT 200I AND ΔT 250I**  
DWN BY Alexander Vannucci  
APPVD BY W.A. Pollock  
JOB#  
SCALE 1/2" = 1'-0" DWG NO. DT-D-80-754  
DATE 9/20/96

TOWER	ΔT 200I	ΔT 250I
HP	10	15
DRY WT.	2670	2815
OPER. WT.	8355	8590
DESIGN WT.	10625	11090
MAX. FAN WT.	570	610
A	189 1/2"	148 1/8"

INFORMATION CONTAINED HEREIN IS SUBJECT TO CHANGE WITHOUT NOTICE IN THE INTEREST OF PRODUCT IMPROVEMENT.