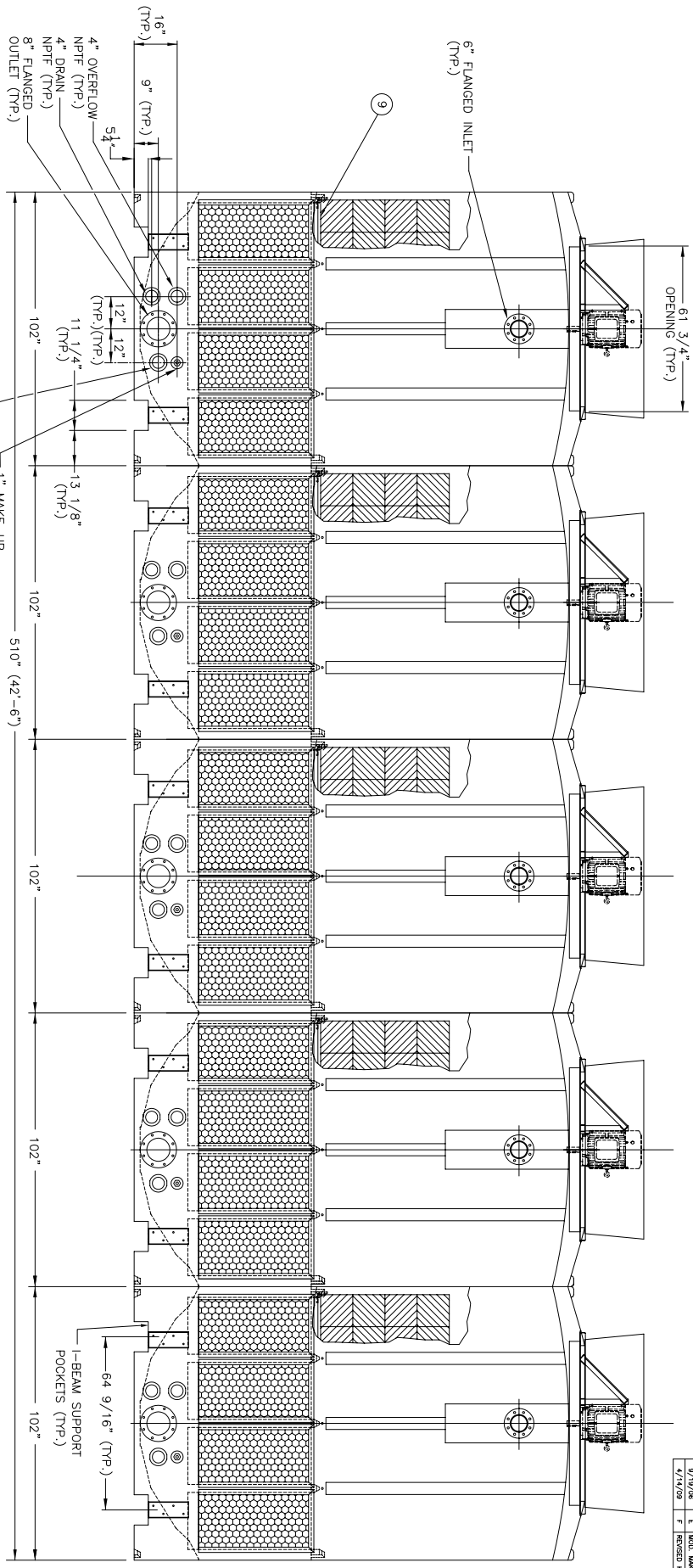
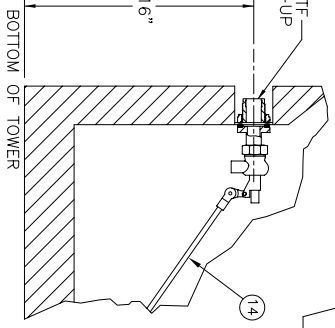


DATE	SW	REVISION	AUTH/CHK
2/28/02	A	REV. INLET	BLO SF
4/8/02	B	REV. OUTLET & POCKETS	BLO SF
7/29/03	C	ADDED DETAIL B	OT SF
8/29/02	D	REVISED MAKE-UP, I-BEAM SUPPORTS	KE SF
8/29/02	E	REVISED MAKE-UP, ANCHOR BOLTS	KE SF
4/14/03	F	REVISED HEIGHT	KE SF

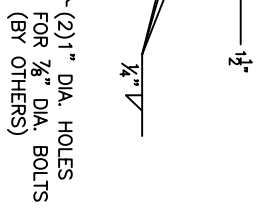


**DETAIL A**  
MAKE-UP  
NTS



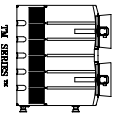
**SIDE VIEW**

**DETAIL B**  
ANCHOR LUG



**NOTES:**

1. SEE DRAWING DT-D-87-906-1 FOR PLAN VIEW & ELEVATION.



**DELTA COOLING TOWERS, INC.**  
41 PINE STREET, ROCKAWAY, NJ 07866  
PH 973.586.2201 FAX 973.586.2243

**5 CELL**

SCALE 5/8"=1'-0"  
DATE 7/18/01

DWG NO. DT-D-87-906-2

APPROV BY *[Signature]*  
DATE