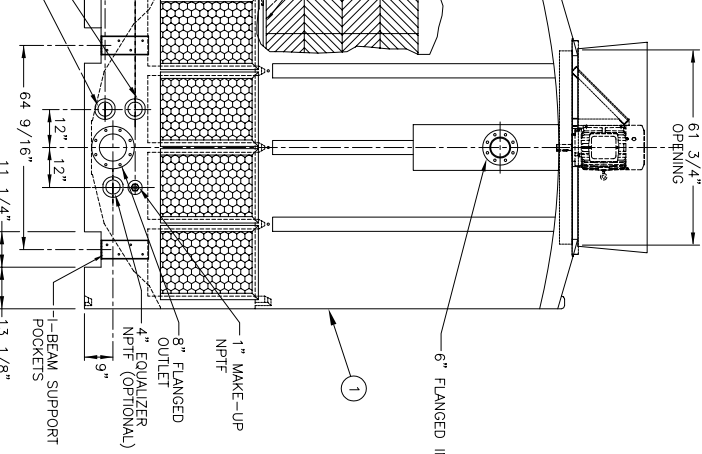
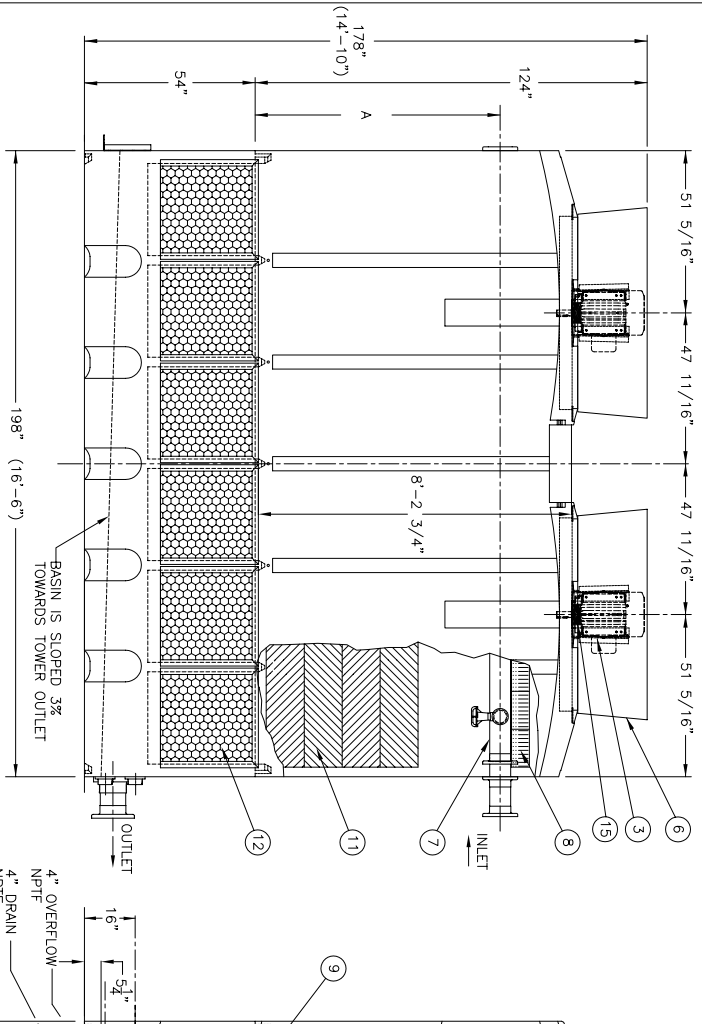


DATE	SW	REVISION	APPROV. CHK
2/28/02	A	REV. INLET & POCKETS	BLO JF
4/8/02	B	ADDED ANCHOR LUG DETAILS	BLO JF
1/14/03	C	ADDED ANCHOR LUG DETAILS	JSH JF
1/24/03	D	ADDED DETAIL B	JSH JF
2/4/03	E	ADDED OPT. OUTLET DIM.	GT JF
6/19/03	F	ADDED WEIGHTS	GT JF
9/19/03	G	ADDED ANCHOR LUG TABLE	GT JF
9/19/06	H	MOD. MAKE-UP ANCHOR LUGS	KE JF
1/28/08	I	ADDED SUMP SLOPE NOTE	KE JF
2/27/08	J	ADDED VORTEX BREAKER	KE JF
9/18/08	K	REVISED BOTTOM OUTLET SQUARE	KE JF
4/14/09	L	REVISED HEIGHT	KE JF

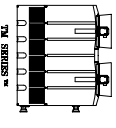


- NOTES:
- DIMENSIONS SHOWN ARE NOMINAL AND ARE SUBJECT TO FABRICATION TOLERANCES.
 - EXTERNAL PIPING MUST BE INDEPENDENTLY SUPPORTED.
 - PIPING AND BULKHEAD FITTING MATERIAL IS PVC.
 - FAN MOTOR FRAME SHALL BE 304 STAINLESS STEEL.
 - FAN MOTOR SHALL BE INSTALLED ON TOP.
 - MANWAY INLET WATER TEMPERATURE 140°F. (CONSULT FACTORY FOR HIGHER TEMP. APPLICATIONS.)
 - ALL WEIGHTS ARE IN POUNDS. DRY WT. INCLUDES OPERATING WT. AND TOWER COMPLETE.
 - FAN ASSEMBLY AND TOWER COMPLETE.
 - TO BE INSTALLED ON I-BEAMS w/ 7" MINIMUM TOP WIDTH IN POCKETS SHOWN OR A FLAT AND RIGID SURFACE, PROPERLY SUPPORTED.

ITEM	QTY	DESCRIPTION	MATERIAL	REMARKS
17	1	VORTEX BREAKER (NOT SHOWN)	POLYETHYLENE	
16	4	ANCHOR LUGS	STEEL	DT-A-87-026
15	2	VIBRATION SWITCH	STEEL	OPTIONAL
14	1	FLOAT VALVE	BRONZE	
13	1	LADDER ASSEMBLY (NOT SHOWN)	ALUMINUM	OPTIONAL
12	20	LOUVER PANEL	POLYETHYLENE	
11	1	SET FILL	PVC	
10	1	STRAINER (NOT SHOWN)	PLASTIC	OPTIONAL
9	1	FILL SUPPORT	FRP	
8	1	SET MIST EVAPORATOR	PVC	
7	1	WATER DISTRIBUTION	PVC	
6	2	VELOCITY RECOVERY STACK	POLYETHYLENE	WITH SCREEN
5	2	PROPPELLER	FRP/POLYPROP	
4	2	ELECTRICAL CONN.	ALUMINUM	
3	2	MOTOR	ALUM./STEEL	TEAO, 900 RPM
2	2	FAN RING	COATED STEEL	
1	1	TOWER SHELL	POLYETHYLENE	

TOTAL HP		SEE MODEL
OPER. WT. SUMP FULL	6,500 LBS.	
OPERATING WT. BOTTOM OUTLET	8,450 LBS.	INFORMATION CONTAINED HEREIN IS SUBJECT TO CHANGE WITHOUT NOTICE IN THE INTEREST OF PRODUCT IMPROVEMENT.
SUMP CAP	480 GALLONS	

MODEL SERIES	DIM "A"
TM1XX3XX	68"
TM1XX4XX	77 1/2"



DELTA COOLING TOWERS, INC.
 41 PINE ST., ROCKAWAY, NJ 07866
 PH (973) 586-2201 FAX (973) 586-2243

1 CELL

SCALE 5/8"=1'-0"
 DATE 6/11/01

DWG NO. DT-D-87-901

APPROV BY: *[Signature]*
 DATE: *[Signature]*