



Delta Cooling Towers, Inc.
 41 Pine Street
 Rockaway, NJ 07866
 PH: 973.586.2201
 Fax: 973.586.2243
www.deltacooling.com
 Email: sales@deltacooling.com

COOLING TOWER WITH
HOT/COLD TANK ARRANGEMENT

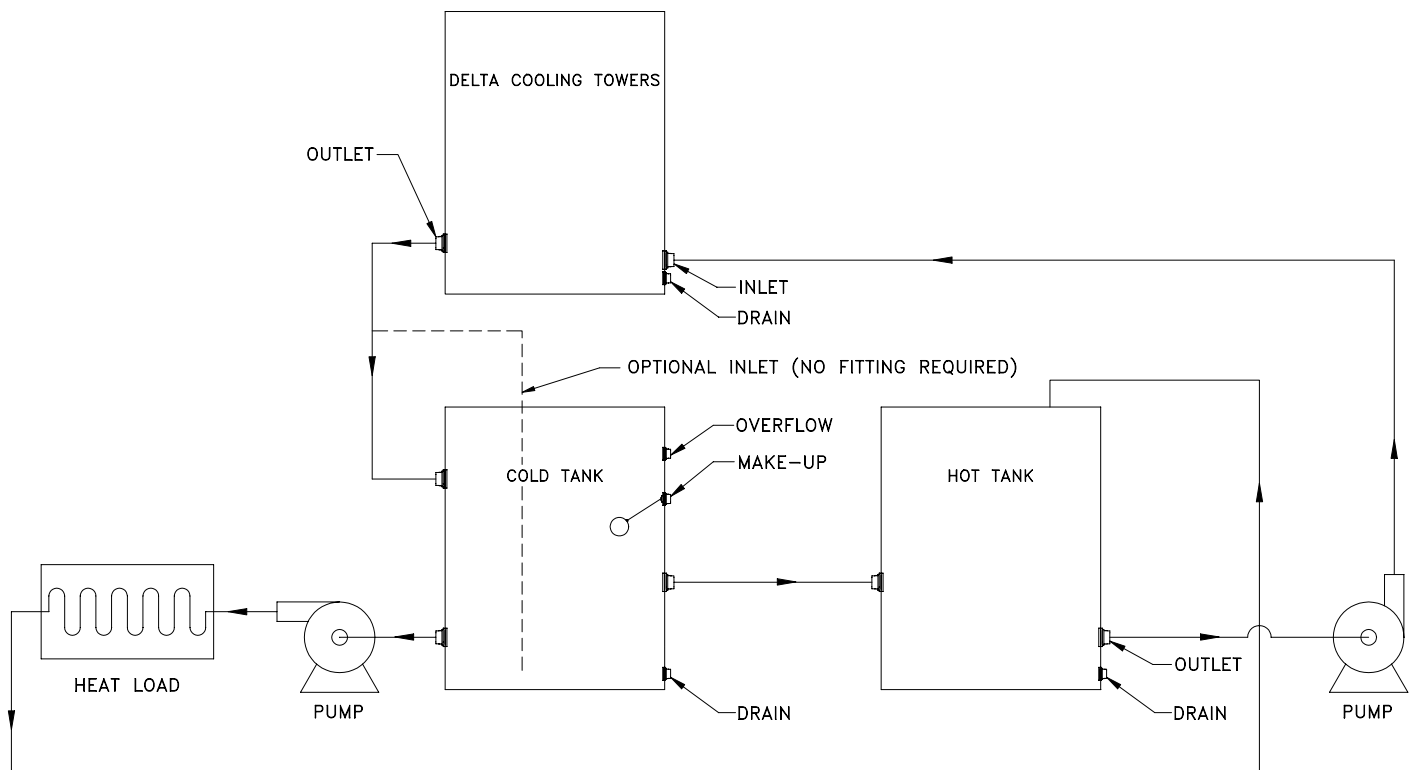


Figure 3

TOWER (1) Inlet
FITTINGS: (1) Outlet
 (1) Drain

COLD TANK (1) Inlet
FITTINGS: (1) Outlet
 (1) Make-up
 (1) Overflow
 (1) Drain
 (1) Connector

HOT TANK (1) Inlet
FITTINGS: (1) Outlet
 (1) Drain
 (1) Connector