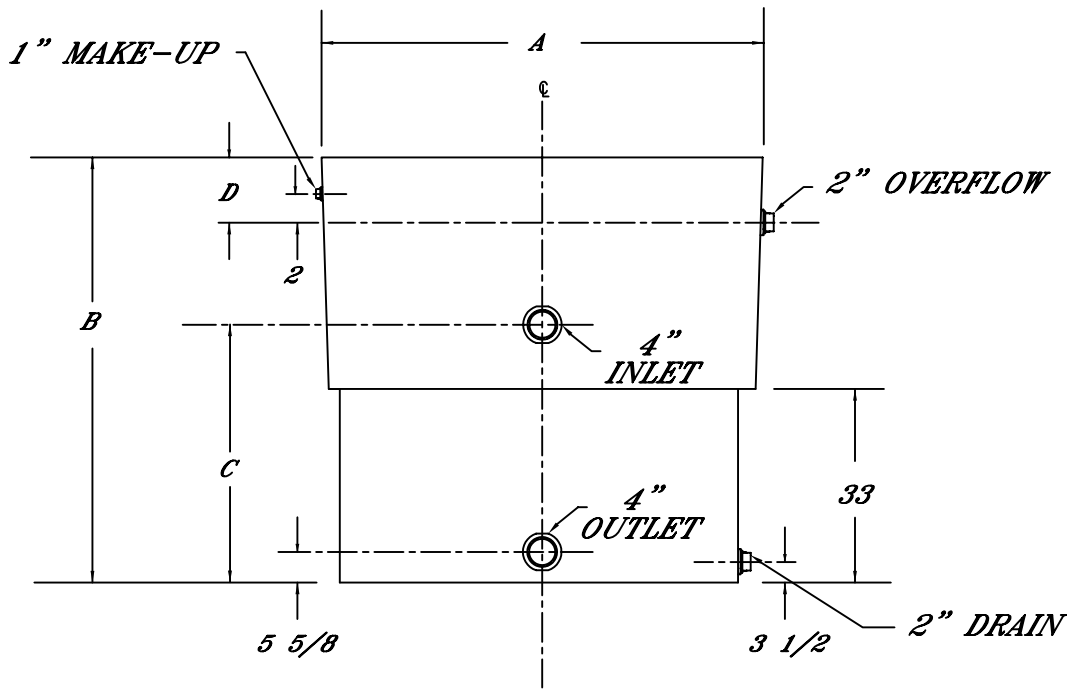


TYPICAL PLAN VIEW

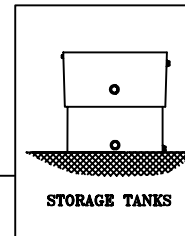


UNIT	A	B	C	D	SHIP LBS
650	76	50	28	6	170
800	76	56	38	6	180
1000	76	67	48	6	220
1250	80	78	48	6	255

NOTES:

- 1) MATERIAL: POLYETHYLENE
- 2) DIMENSIONS SHOWN ARE NOMINAL & SUBJECT TO FABRICATION TOLERANCE.
- 3) MAXIMUM WATER TEMP. 150 F
- 4) NOMINAL WALL THICKNESS: 3/8"
- 5) TANK SHOWN WITH OPTIONAL FITTINGS INSTALLED
- 6) STANDARD FITTINGS: PVC BULKHEAD WITH NEOPRENE GASKET ON INSIDE OF TANK
- 7) OPTIONAL ITEMS INCLUDE; BOTTOM OUTLET AT CENTER OF TANK, PVC FLANGED FITTINGS, TANK COVERS.
- 8) EXTERNAL PIPING MUST BE INDEPENDENTLY SUPPORTED.
- 9) TANK TO BE INSTALLED ON A FLAT AND RIGID SURFACE, PROPERLY SUPPORTED.
- 10) CONSULT FACTORY FOR LARGER FITTING SIZES AVAILABLE.
- 11) 4" FITTINGS FOR FLOWS UP TO 500 GPM MAX. SEE NOTE 10.

INFORMATION CONTAINED HEREIN IS SUBJECT TO CHANGE WITHOUT NOTICE IN THE INTEREST OF PRODUCT IMPROVEMENT.



DELTA COOLING TOWERS, INC.
41 PINE STREET, ROCKAWAY, NJ 07866

PH 973.586.2201 FAX 973.586.2243

TITLE 600 to 1250 GALLON
OPEN-TOP STORAGE TANKS

JOB# _____ DWN BY *James Bird*
APPVD BY *John Flaherty*

SCALE 3/4" = 1'-0" DWG NO. _____

DATE 01/26/05