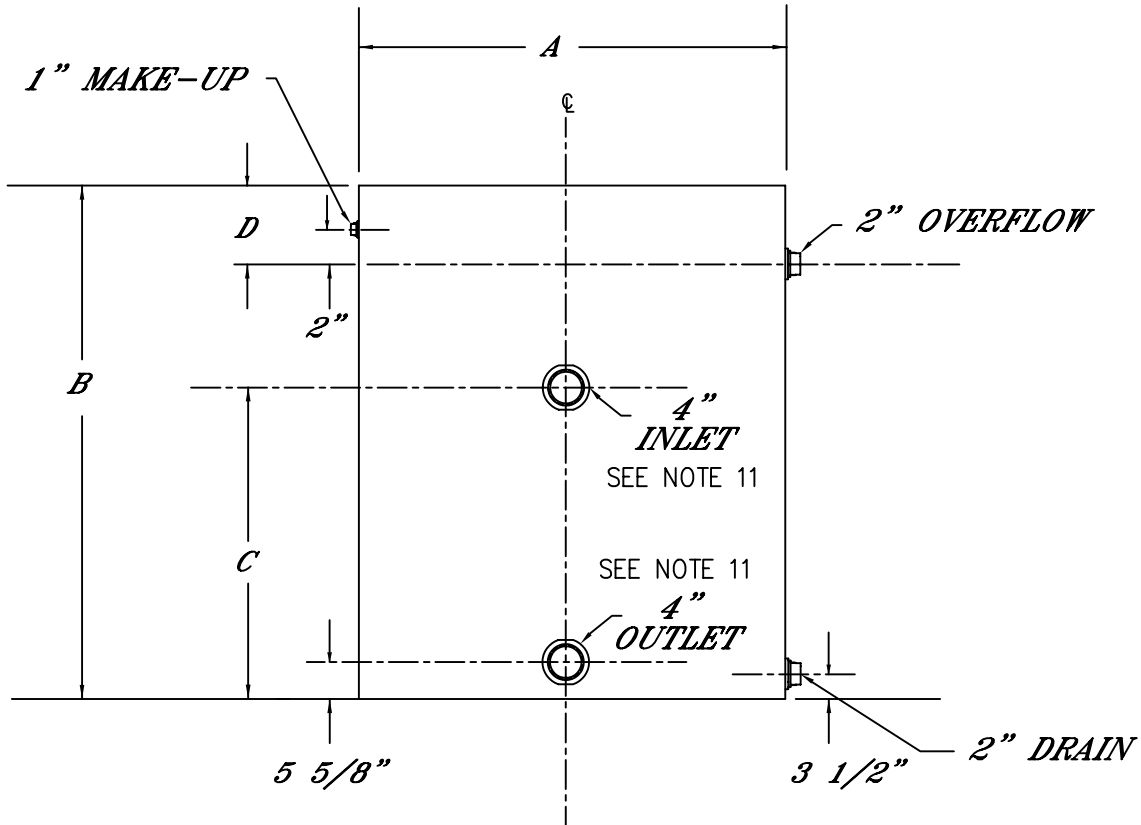


TYPICAL PLAN VIEW

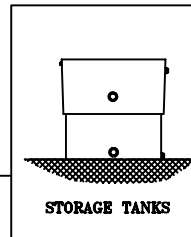


UNIT (GALLONS)	A	B	C	D	SHIP LBS
1500	94	60	48	6	220
1750	94	68	54	6	325
2000	94	77	60	6	365

NOTES:

- 1) MATERIAL: POLYETHYLENE
- 2) DIMENSIONS SHOWN ARE NOMINAL & SUBJECT TO FABRICATION TOLERANCE.
- 3) MAXIMUM WATER TEMP. 150 F
- 4) NOMINAL WALL THICKNESS: 3/8"
- 5) TANK SHOWN WITH OPTIONAL FITTINGS INSTALLED
- 6) STANDARD FITTINGS: PVC BULKHEAD WITH NEOPRENE GASKET ON INSIDE OF TANK
- 7) OPTIONAL ITEMS INCLUDE; BOTTOM OUTLET AT CENTER OF TANK, PVC FLANGED FITTINGS, TANK COVERS.
- 8) EXTERNAL PIPING MUST BE INDEPENDENTLY SUPPORTED.
- 9) TANK TO BE INSTALLED ON A FLAT AND RIGID SURFACE, PROPERLY SUPPORTED.
- 10) CONSULT FACTORY FOR LARGER FITTING SIZES AVAILABLE.
- 11) 4" FITTINGS FOR FLOWS UP TO 500 GPM MAX. SEE NOTE 10.

INFORMATION CONTAINED HEREIN IS SUBJECT TO CHANGE WITHOUT NOTICE IN THE INTEREST OF PRODUCT IMPROVEMENT.



DELTA COOLING TOWERS, INC.
 41 PINE STREET, ROCKAWAY, NJ 07866
 PH 973.586.2201 FAX 973.586.2243

TITLE 1500 to 2000 GALLON OPEN-TOP STORAGE TANKS

DWN BY James Bird
 APPVD BY John Flaherty

JOB# _____
 SCALE 3/4" = 1'-0" DWG NO. _____
 DATE 01/26/05 REV. _____