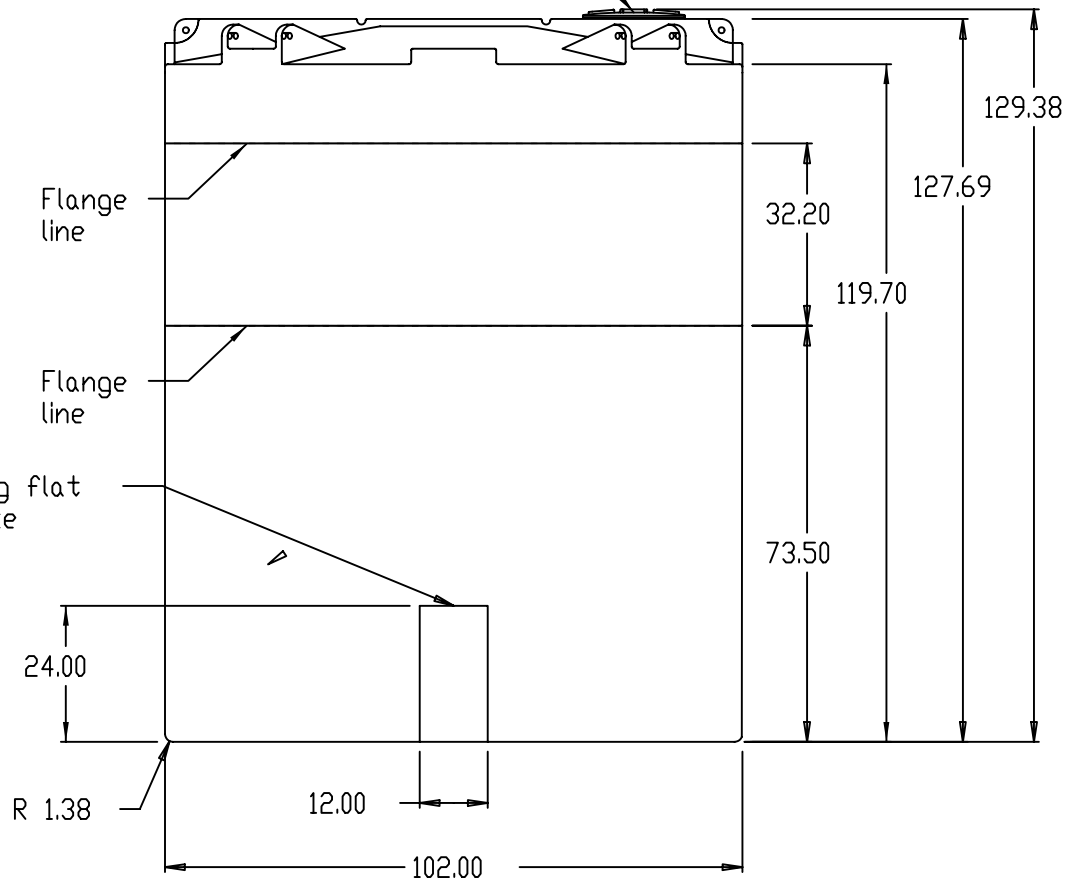


18" PE threaded manway cover w/15" access



(all dimensions in inches)

4,100 GALLON CLOSED-TOP STORAGE TANK