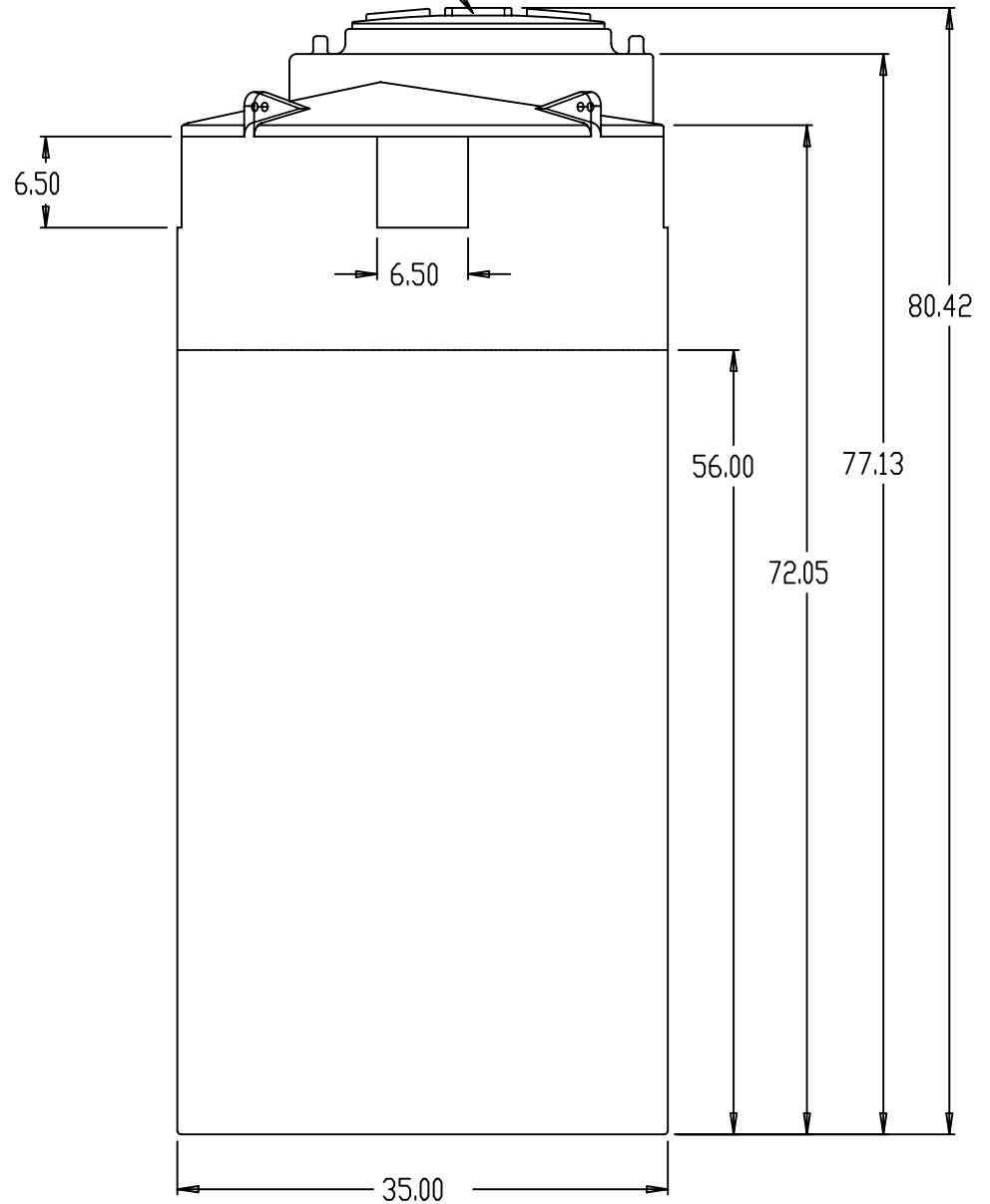
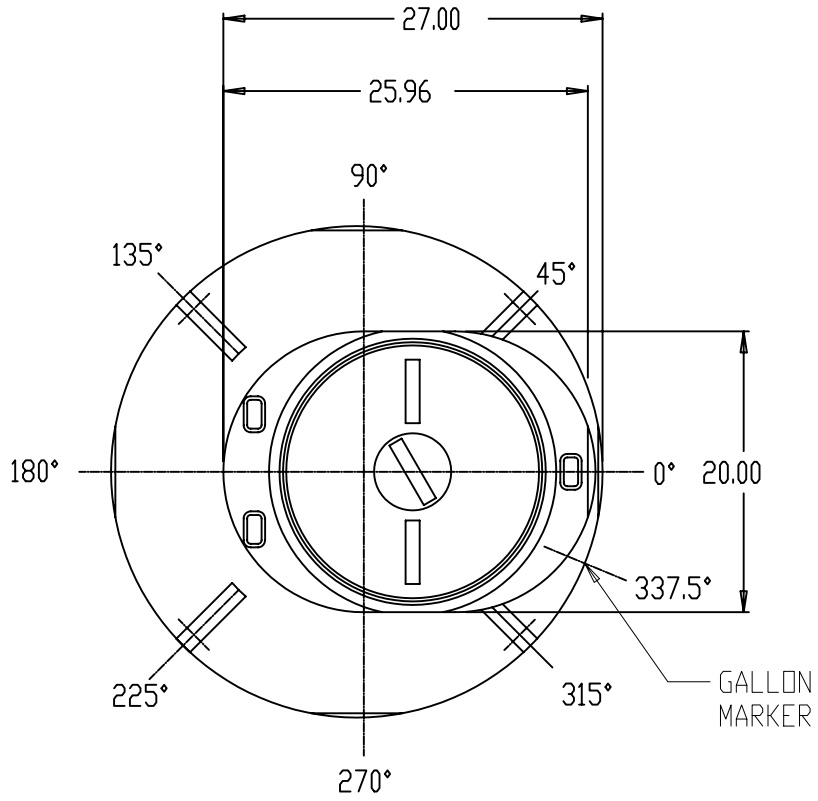


18" PE Threaded-vented  
Manway with 15" Access



(all dimensions in inches)

300 GALLON CLOSED-TOP STORAGE TANK